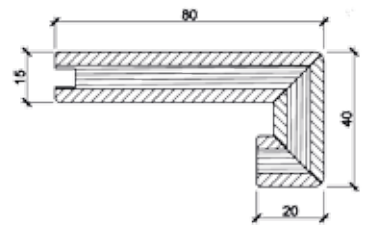

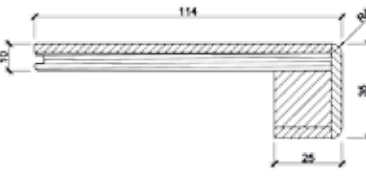

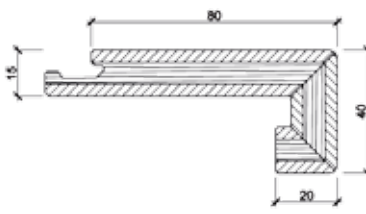

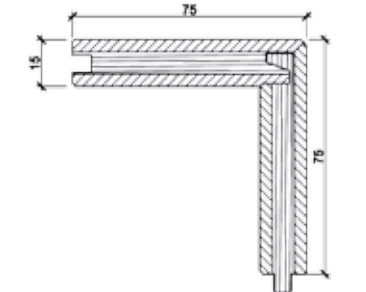



<p>3-layer-Stairnosing tongue & groove 15 mm (Typ A)</p> <p>Length: 1980 mm</p> <p>Length 2380 mm: only order-specific production and longer lead time!</p>		
<p>2-layer-Stairnosing tongue & groove 10 mm (Typ B)</p> <p>Length: approx. 1200 mm</p>		
<p>3-layer-Stairnosing lock-it 15 mm (Typ C)</p> <p>Length: 1980 mm</p> <p>Length 2380 mm: only order-specific production and longer lead time!</p>		
<p>Stair nosing for special projects tongue & groove 15 mm (Typ D)</p> <p>Length: 1980 mm</p> <p>Length 2380 mm: only order-specific production and longer lead time!</p>		
<p>Stair nosing for special projects lock-it 15 mm (Typ E)</p> <p>Length: 1980 mm</p> <p>Length 2380 mm: only order-specific production and longer lead time!</p>	